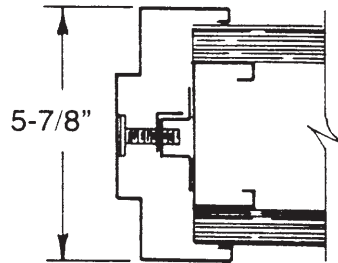
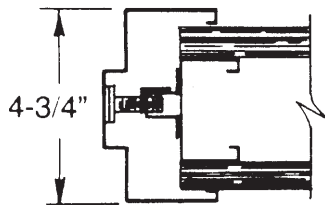


# CURRIES HOLLOW METAL FRAME ANCHORS

## Drywall Frame Anchors

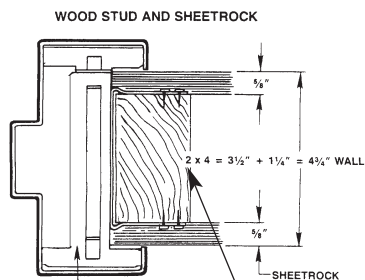


3/8" STEEL STUD  
5/8" GYPSUM



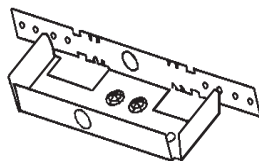
2 1/2" STEEL STUD  
5/8" GYPSUM

## Wood Stud Wall Anchors



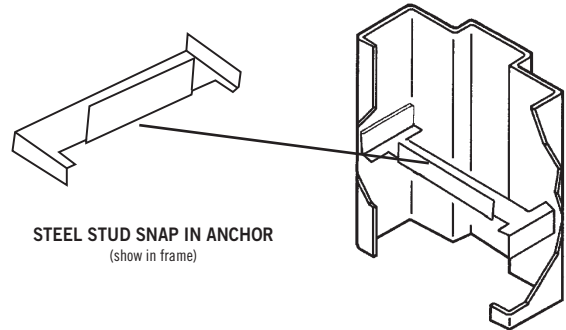
WOOD STUD AND SHEETROCK

Self drilling Bugle Head sheetrock screws or other sheet metal screws for attaching stud to anchor finished by installing contractor.

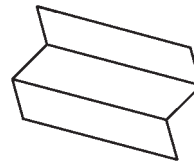


Combination Anchor can be used as a wood stud anchor.

## Steel Stud Wall Anchors

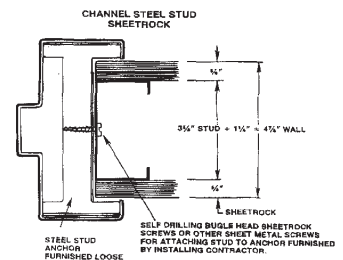


STEEL STUD SNAP IN ANCHOR  
(show in frame)



STEEL STUD ANCHOR  
WELDED INTO FRAME

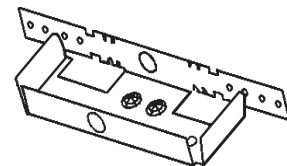
STEEL STUD ANCHOR  
WELDED INTO FRAME



CHANNEL STEEL STUD  
SHEETROCK

SELF DRILLING BUGLE HEAD SHEETROCK SCREWS OR OTHER SHEET METAL SCREWS FOR ATTACHING STUD TO ANCHOR FURNISHED BY INSTALLING CONTRACTOR.

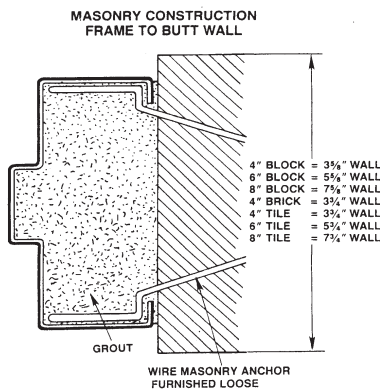
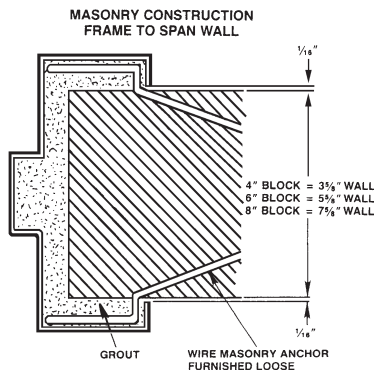
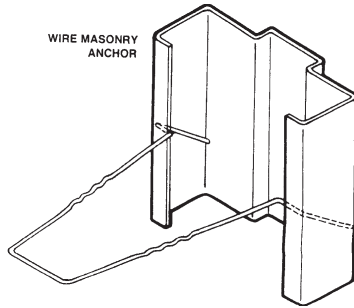
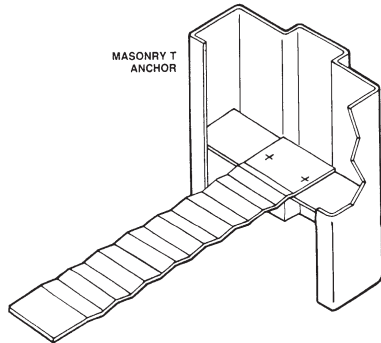
## Combination Anchors



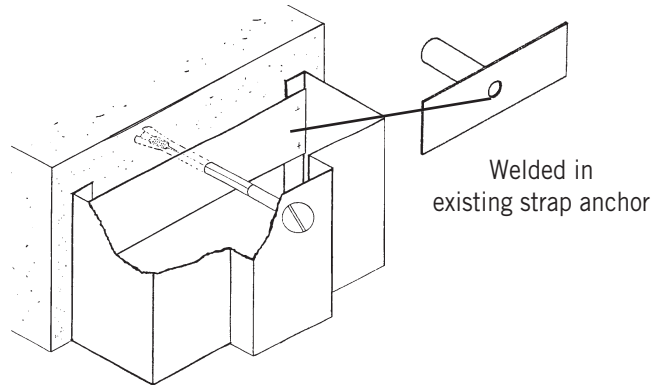
Combination anchor can be used as a steel stud anchor

# CURRIES HOLLOW METAL FRAME ANCHORS

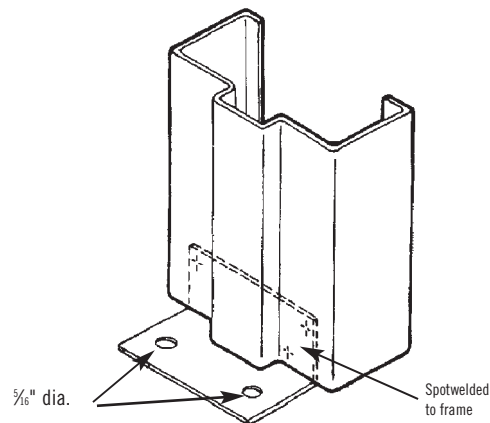
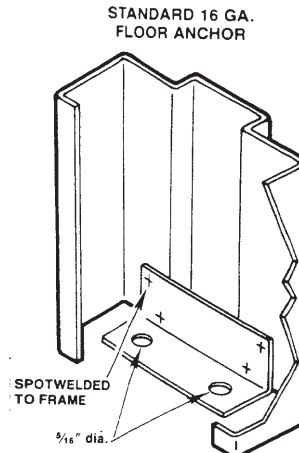
## Masonry Wall Anchors



## Existing Masonry Anchors



## Floor Anchors



Provide frames, other than slip-on drywall type, with minimum 18 Ga. anchors for attachment to the floor.