

# Door Installation

1. Attach the hinges loosely to the door with the heads of the pivot pins toward the top.
2. Support the door adjacent to the hinge jamb in a position 90 degrees to the frame. A wood block close in thickness to the undercut of the door makes a good support.
3. Align the hinges with the reinforcing on the jamb and insert the mounting screws beginning with the top hinge.
4. Tighten all screws in all hinges and close door to check clearances between door and frame. If frame is square and plumb the

clearances should be approximately  $\frac{1}{8}$ " at the top,  $\frac{3}{32}$ " at the hinge and lock edges and  $\frac{5}{8}$ " undercut at the floor.

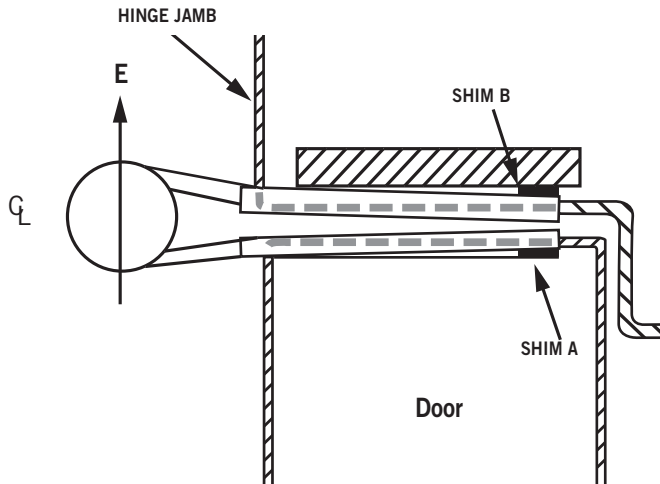


Figure 1

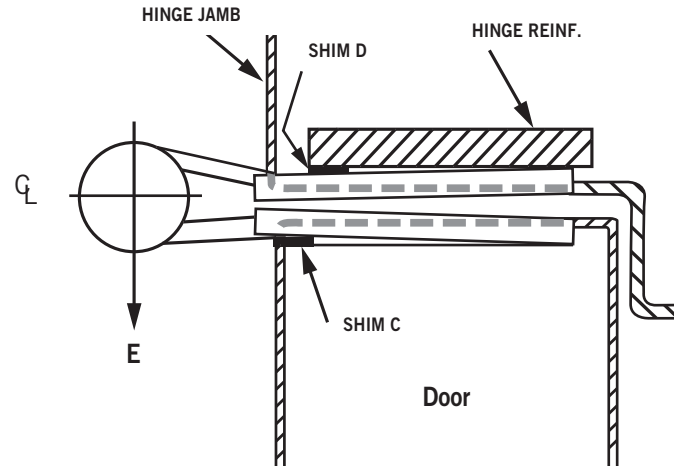


Figure 2

## Clearance Adjustments:

If clearances at lock and hinge jambs need adjustment remove screws, one leaf at a time and insert narrow shims  $\frac{1}{4}$ " wide by length equal to hinge height as needed to shift the door by small increments in direction desired.

1. Using shim "A" only, door will be relocated in direction of Arrow "E".
2. Using shim "B" only, will move both door and centerline of hinge barrel in direction of Arrow "E".
3. Using both shims "A" and "B" will relocate the door in direction of Arrow "E".
4. Using shim "C" only, door will be relocated in direction of Arrow "F".
5. Using shim "D" only, both door and centerline of hinge barrel will move in the direction of Arrow "F".
6. Using both shims "C" and "D" will relocate the door in direction of Arrow "F" by a greater amount than by using either "C" or "D" alone. The centerline of hinge barrel will be relocated the same as by using shim "D" alone.