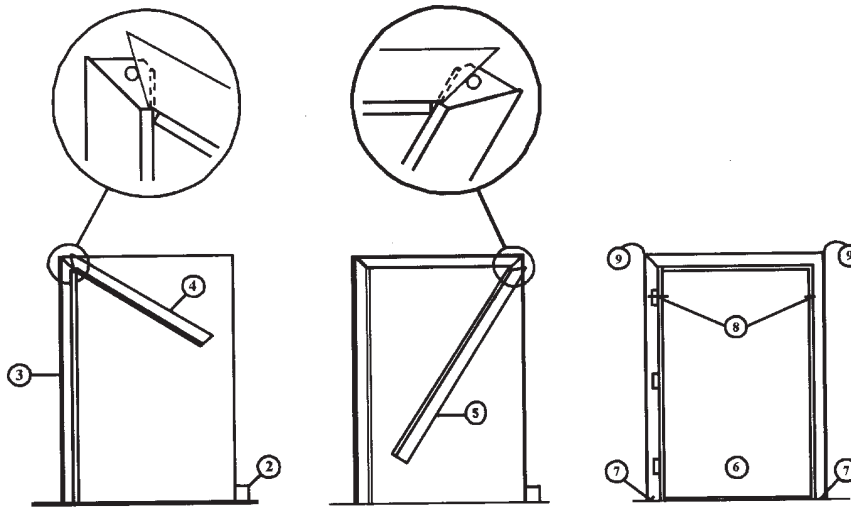


HOLLOW METAL FRAMES

KD Drywall Frame Installation Instructions



1. Construct wall with rough opening height equal to finished opening height plus $\frac{3}{4}$ " to 1" max. rough opening width is as follows:
 - a. For 2" face frames - opening width plus $2\frac{1}{8}$ " to $2\frac{3}{8}$ "
 - b. For $1\frac{3}{4}$ " and $1\frac{1}{2}$ " face frames - opening width plus 2"
2. If wrap around base anchor is used, notch drywall in that area.
3. Retract compression bars in the jambs and install one jamb in position on wall.
4. Insert frame head under the corner clips of the jamb and raise into position.
5. Insert the corner clips of the remaining jamb into the opposite end of the head and position jamb on wall.
6. Locate a removable frame spacing bar at base of centered frame to maintain proper opening width during installation.
7. Square and plumb frame and install base anchor screws through countersink holes in frame face and into floor plates.
8. Square top of frame and tighten compression bars by turning screws counter clockwise.
9. Install (4) No. 8 x $\frac{1}{2}$ " sheet metal screws at the corners of the head to attach head to jambs. (Required for U.L. rated frames.)

Frame Anchors for Wall Conditions

Provide frames, other than slip-on drywall type, with a minimum of three anchors per jamb as required for the adjoining wall construction. Frames with Existing Masonry Anchors require four anchors each side. Provide anchors of not less than 18 Ga. steel or 7 Ga. diameter wire.

*Fire Rating requires 4 anchors each side.

